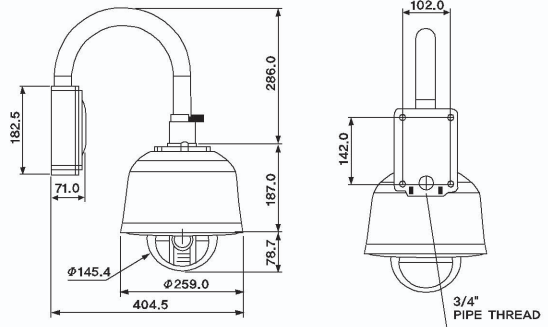


# PS-301(V2)

## SPEED DOME CAMERA



### DIMENSIONS(mm)



### GENERAL FEATURES

#### Fast & Silent Motion

- Extremely quiet and low vibration
- Shortest Path by Vector Drive Technology
- High Accuracy with Micro-Stepping Control Technology
- Adaptive Pan Tilt speed to Zoom ratio
- Lightning Speed (MAX. 380°/sec) & Smooth Manual Speed (MIN. 0.05°/sec)
- Endless 360° Pan Rotation

#### Superior Zoom Camera

- X300 Zoom Control (Optical X30, Digital X10)
- Day & Night (IR Cut Filter)
- Option : WDR (Optical X37, Digital X12)

#### Powerful Functions

- Independent Camera Setup (AE, WB and etc.)
- 128 Preset Positions with Alphanumeric Labels
- 4 Pattern, 8 Scan and 8 Group Functions
- 4 Privacy Zones (Spherical Coordinates)
- 7 Rules for Schedule function based on Day and Time
- Auto Flip, Auto Parking, Power-up Action
- Freeze in Preset Function
- On-Screen Display of Real time and Temperature
- Built-in 8 Sensor Inputs and 4 Relay Output
- Vandal-Proof (Dome Cover : PC / Housing & Accessories : AL Die-cast)

# PS-301(V2)

## SPEED DOME CAMERA

### SPECIFICATIONS

MODEL	PS-301(V2)	
Signal Format	NTSC	NTSC
Image Device	1/4" Vertical double density interline CCD	
Total Pixel	410K Pixels [811(H) x 508(V)]	470K Pixels [795(H) x 596(V)]
Effective Pixel	380K Pixels [768(H) x 494(V)]	440K Pixels [752(H) x 582(V)]
H. Resolution	520 TV Lines (Min.): Color / 570 TV Lines (Min.) : B/W	
S/N Ratio	50dB (AGC Off, Weight ON)	
Zoom	X30 Optical Zoom and X10 Digital Zoom	
Focal Length	F1.6(W) 3.2(T) f=3.3~99.0mm	
Angle of View	H : Appr. 58.0°(Wide) to 2.22°(Tele) V : Appr. 44.8° (Wide) to 1.68° (Tele)	
MIN. Illuminance	0.4 Lux/F1.6 (50 IRE) ; Color / 0.08 Lux/F1.6 (50 IRE) ; B/W	
Day & Night	Auto / MANUAL (ICR)	
Focus	Auto / Manual	
Iris	Auto / Manual	
Shutter Speed	AUTO / MANUAL , Sens-up and Sens-up Limit is selectable X128 ~ 1/60sec ~ 1/120,000sec      X128 ~ 1/50sec ~ 1/120,000sec	
Gain Control	Low, Middle, High, Off Selectable	
White Balance	ATW / AWC / Manual (1800°K ~10,500°K)	
WDR	52dB	
SSNR	Low, Middle, High, Off Selectable	
Video Out	CVBS: 1.0 Vp-p / 75Ω	
Range	Pan : 360°(Endless) Tilt : 180°(Auto-Flip On) , 95°(Auto-Flip Off) Preset : 360° / sec	
Pan/Tilt Speed	Manual : 0.05° ~ 200° / sec (Inversely Proportional to Zoom) Scan : 1° ~ 180° / sec	
Preset	127 Presets with Labels / Independent Camera Setup	
Pattern	4 Patterns, 1000 Commands (About 5Minute)/Patten	
Scan	8 Scans	
Group	8 Groups (MAX. 20 Entries for Each Group)	
Schedule	7 Rules (Condition: Day, Time → Action: Preset, Scan, Group, Pattern)	
Other Functions	Image Auto Flip, Auto Parking, Power-up Action & etc.	
Communication	RS-485	
Protocol	Auto, Pelco-D, Pelco-P, Samsung Selectable	
Privacy Zone	8 Zones	
Sensor In/Out	Built-in 8 Input / 4 Relay Output	
OSD	Selective On / Off Temperature, Day and Date & Time Display	
Power	AC Type : 24V ± 10%	
Dimension	Dome: φ146 Housing (Including Wall Mount Bracket): 405(L) x 463.6 (H) x 260 (W)	
Weight	Approx. 2.5 Kg	
Operating Temp.	-30° C ~ 50° C / -22° F ~ 122° F	
Outdoor Housing	IP 66/ Vandal Proof Structure (Housing & Accessories : AL Die-cast, Dome Cover: PC)	