

MDC-8220Z-22

PAN FOCUS

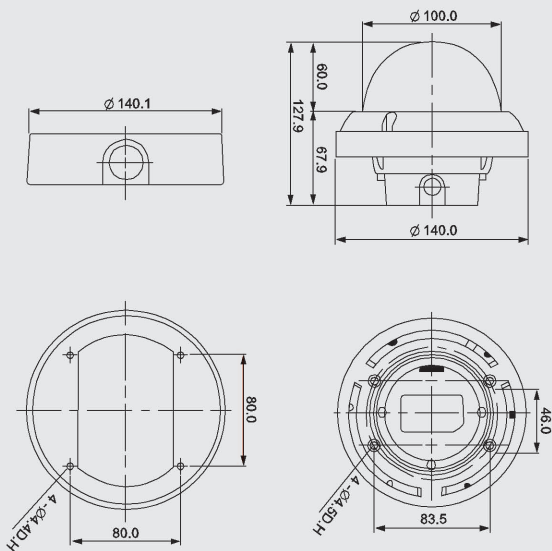


GENERAL FEATURUES

- Sony 1/3" Super HAD CCD (410K Pixels)
- 540TV Lines
- Optical 3X Auto Zoom (2.9~8.5mm)
- Built-in 22pcs IR-Leds & OSD Fuction
- Wide Voltage Input Operation
- DC12V Power
- Vandal Resistant Dome Housing, 3Axis
- Remote Controller (Option)



DIMENSIONS(mm)



SPECIFICATIONS

MODEL	MDC-8220Z-22	
ITEM	NTSC	PAL
Image Sensor	1/3" Sony Super HAD Color CCD	
Effective Pixel	768(H) x 494(V) 380K	752(H) x 582(V) 440K
Scanning System	525 Lines 2:1 Interlace	625 Lines 2:1 Interlace
Scanning Frequency	15.734KHz (H), 59.94Hz (V)	15.625KHz (H), 50Hz (V)
Resolution	540 TV Lines	
Shutter Speed	1/60 ~ 1/100,000 sec	1/50 ~ 1/100,000 sec
S/N Ratio	More than 50dB (AGC off)	
Sync System	Internal	
Lens	2.9~8.5mm Pan focus Lens	
Min. Illumination	0.5 Lux(Color) at F1.2 / 0 Lux at IR-Led ON	
White Balance	Auto	
Video Output	Composite 1.0Vp-p(75Ω load)	
Power Supply	DC12V ±10%	
Operating Temp.	-10°C ~ +50°C	
Operating Humidity	90% RH max.	
Dimension (m/m)	100mm Dome size	