

MDC-7220VDN

DOME CAMERA

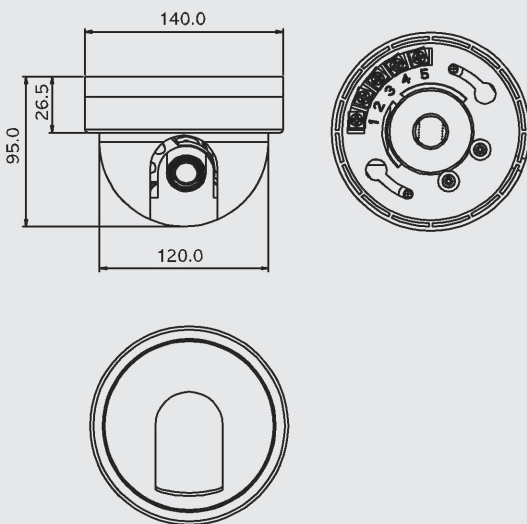


GENERAL FEATURUES

- 1/3" SONY Super HAD Color CCD (410K Pixels)
- 540 TV Lines
- Digital Day / Night Capability
- Disk saving with DNR Technology
- Low Sensitivity of 0.002 Lux (Sens-up)
- Built-in 2.8~11.0mm Varifocal DC Auto Iris Lens
- Multi OSD function built-in
 - Privacy, Motion Detection, Mirror etc.
- Digital Day & Night Function
- ϕ 120 Indoor Dome Housing
- DC12V Power Source



DIMENSIONS(mm)



(ϕ 100, 3Axis)



(ϕ 120, 3Axis)

SPECIFICATIONS

| MODEL | MDC-7220VDN | |
|--------------------|----------------------------------------------|-------------------------|
| ITEM | NTSC | PAL |
| Image Sensor | 1/3"Sony Super HAD Color CCD | |
| Effective Pixel | 768(H) x494(V) 380K | 752(H) x582(V) 440K |
| Scanning System | 525 Lines 2:1 Interlace | 625 Lines 2:1 Interlace |
| Scanning Frequency | 15.734KHz (H), 59.94Hz (V) | 15.625KHz (H), 50Hz (V) |
| Resolution | 540TV Lines | |
| Shutter Speed | 1/60 ~ 1/100,000 sec | 1/50 ~ 1/100,000 sec |
| S/N Ratio | More than 50dB (AGC off) | |
| Sync System | Internal | |
| Lens | 2.8~11mm Varifocal DC Auto Iris Lens | |
| Min. Illumination | 0.3 Lux(Color) / 0.002 Lux(Sens-up) at F 1.2 | |
| White Balance | ATW / AWC / MANUAL | |
| Video Output | Composite 1.0Vp-p(75 Ω load) | |
| Power Supply | DC12V \pm 10% | |
| Operating Temp. | -10 $^{\circ}$ C ~ +50 $^{\circ}$ C | |
| Operating Humidity | 90% RH max. | |
| Dimension (m/m) | 120mm Dome size | |