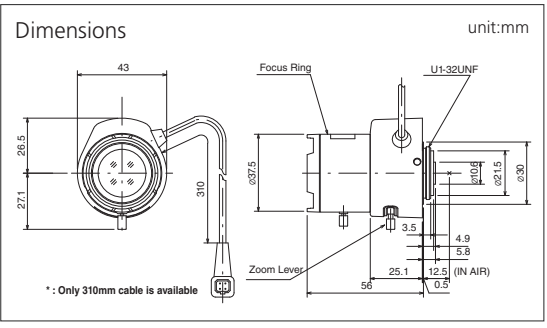


FEATURE INDICATION
MODEL NAME CODING RULE
MANUAL IRIS
VARI-FOCAL MANUAL IRIS
VARI-FOCAL AUTO IRIS
MANUAL ZOOM
MOTORIZED ZOOM
PINHOLE ACCESSORIES
MEGAPIXEL & FA
TECHNICAL INFORMATION
ANGLE OF VIEW

- VARI
- DC
- ASP
- IR
- MEGA PIXEL



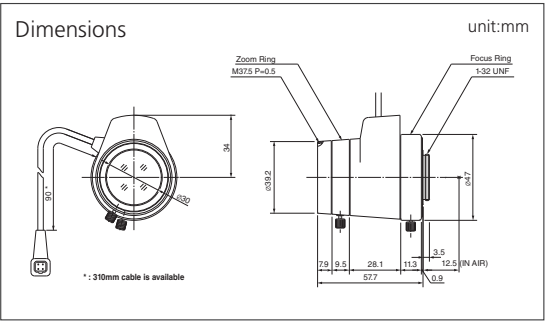
MODEL NO.	TG4Z2813FCS-MPIR
Format (")	1/3
Mount	CS
Focal Length (mm)	2.8-12
Aperture (F)	1.3-360
Angle of View (HOR)°	102.2-23.7
M.O.D. (m)	0.3
Effective Aperture	Front (φmm) 23.0
	Rear (φmm) 7.4
Front Filter Thread (φMxP=)	-
Dimensions (φxD _L / φxHxD _L or WxHxD _L mm)	φ37.5 × 45 × 56
Weight (g)	71



- VARI
- DC
- TELE
- ASP



MODEL NO.	TG10Z0513FCS-2
Format (")	1/3
Mount	CS
Focal Length (mm)	5-50
Aperture (F)	1.3-360C
Angle of View (HOR)°	51.8-5.6
M.O.D. (m)	0.8
Effective Aperture	Front (φmm) 29.5
	Rear (φmm) 8.7
Front Filter Thread (φMxP=)	37.5 × 0.5
Dimensions (φxD _L / φxHxD _L or WxHxD _L mm)	φ41.7 × 57.5 × 57.7
Weight (g)	140



- VARI
- DC
- TELE
- ASP
- IR



MODEL NO.	TG5Z8513FCS-IR
Format (")	1/3
Mount	CS
Focal Length (mm)	8.5-40
Aperture (F)	1.3-360C
Angle of View (HOR)°	33.5-7.1
M.O.D. (m)	0.8
Effective Aperture	Front (φmm) 27.0
	Rear (φmm) 9.3
Front Filter Thread (φMxP=)	37.5 × 0.5
Dimensions (φxD _L / φxHxD _L or WxHxD _L mm)	φ41.7 × 57.5 × 62.9
Weight (g)	114

