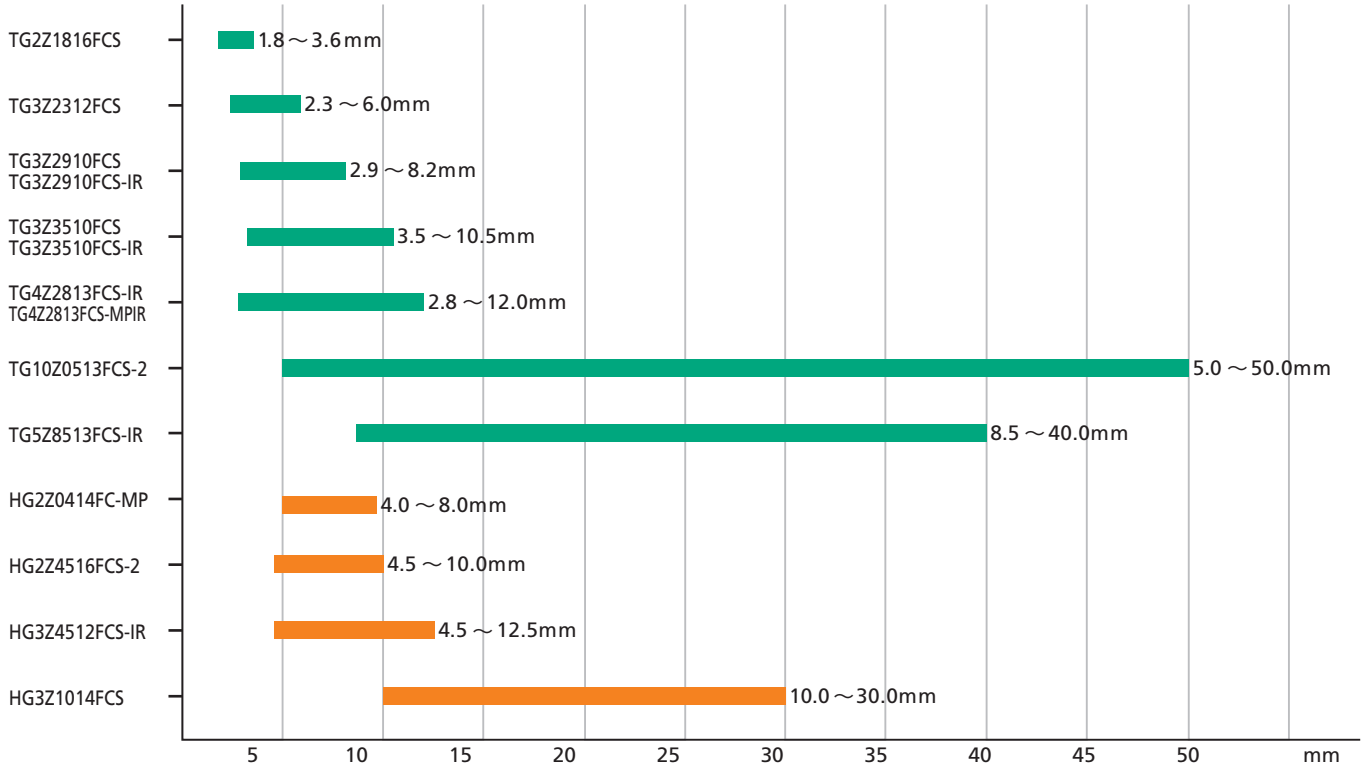


## Vari-Focal Lens Comparison

### DC Drive

1/2" 1/3"



FEATURE INDICATION

MODEL NAME CODING RULE

MANUAL IRIS

AUTO IRIS

VARI-FOCAL MANUAL IRIS

VARI-FOCAL AUTO IRIS

MANUAL ZOOM

MOTORIZED ZOOM

PINHOLE ACCESSORIES

MEGAPIXEL & FA

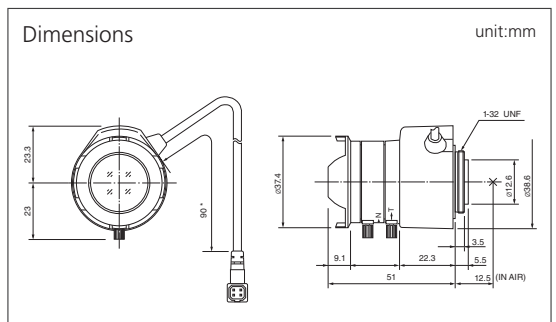
TECHNICAL INFORMATION

ANGLE OF VIEW

VARI  
DC  
WIDE



MODEL NO.	TG2Z1816FCS
Format (")	1/3
Mount	CS
Focal Length (mm)	1.8-3.6
Aperture (F)	1.6-360C
Angle of View (HOR)°	144.2-79.4
M.O.D. (m)	0.2
Effective Aperture	Front (φmm) 22.0 Rear (φmm) 7.9
Front Filter Thread (φMxP=)	-
Dimensions (φD <sub>1</sub> , φHxD) or (WxHxD)mm	φ37.4 × 42.6 × 51
Weight (g)	78



VARI  
DC  
WIDE  
ASP



MODEL NO.	TG3Z2312FCS
Format (")	1/3
Mount	CS
Focal Length (mm)	2.3-6
Aperture (F)	1.2-360
Angle of View (HOR)°	114.8-48.2
M.O.D. (m)	0.3
Effective Aperture	Front (φmm) 19.5 Rear (φmm) 9.0
Front Filter Thread (φMxP=)	-
Dimensions (φD <sub>1</sub> , φHxD) or (WxHxD)mm	φ38.5 × 48 × 51.1
Weight (g)	76

