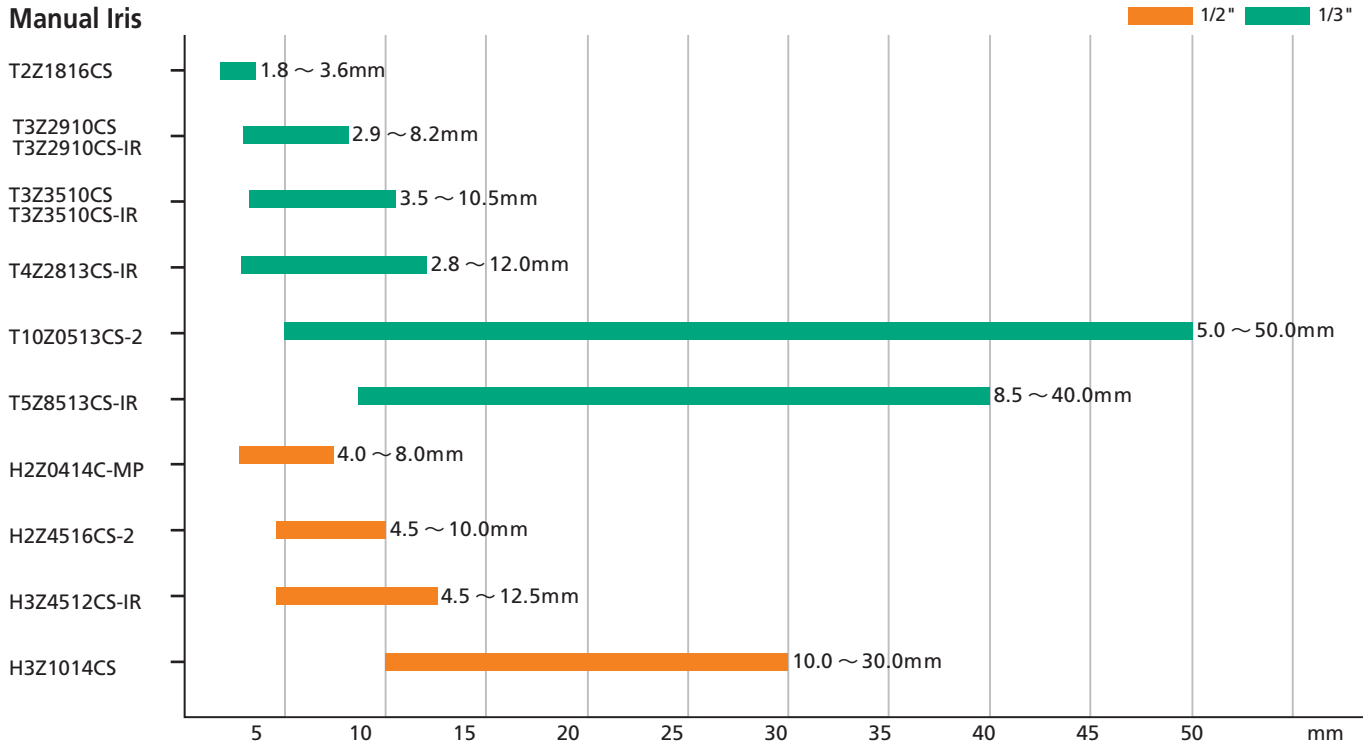


## Vari-Focal Lens Comparison

### Manual Iris

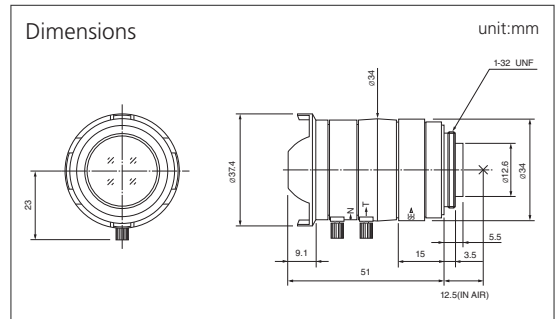


FEATURE INDICATION  
MODEL NAME CODING RULE  
MANUAL IRIS  
AUTO IRIS  
VARI-FOCAL MANUAL IRIS  
VARI-FOCAL AUTO IRIS  
MANUAL ZOOM

VARI  
MANUAL  
WIDE



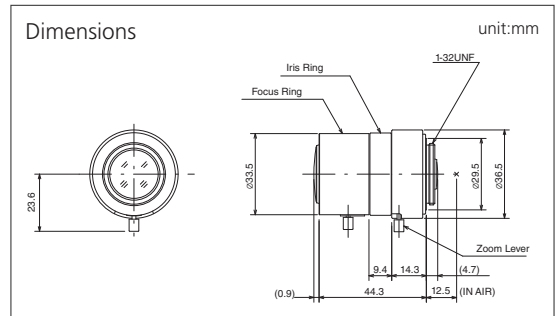
MODEL NO.	T2Z1816CS
Format (")	1/3
Mount	CS
Focal Length (mm)	1.8-3.6
Aperture (F)	1.6-16C
Angle of View (HOR)°	144.2-79.4
M.O.D. (m)	0.2
Effective Aperture	Front (φmm) 22.0 Rear (φmm) 7.9
Front Filter Thread (φMxP=)	-
Dimensions (φxD), (φxBxD) or (WxHxD)mm	φ37.4 × 51
Weight (g)	68



VARI  
MANUAL  
F1.0  
ASP



MODEL NO.	T3Z2910CS
Format (")	1/3
Mount	CS
Focal Length (mm)	2.9-8.2
Aperture (F)	1.0-16C
Angle of View (HOR)°	98.3-35.2
M.O.D. (m)	0.5
Effective Aperture	Front (φmm) 18.8 Rear (φmm) 9.0
Front Filter Thread (φMxP=)	-
Dimensions (φxD), (φxBxD) or (WxHxD)mm	φ36.5 × 44.3
Weight (g)	41



MOTORIZED ZOOM  
PINHOLE ACCESSORIES  
MEGAPIXEL & FA  
TECHNICAL INFORMATION  
ANGLE OF VIEW