

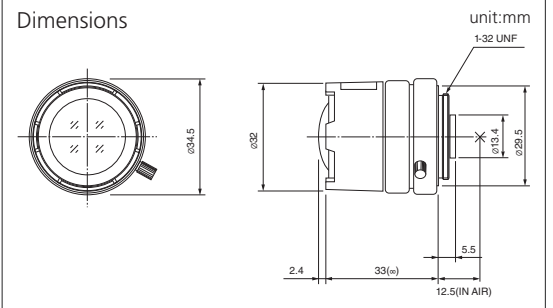
FEATURE INDICATION
 MODEL NAME CODING RULE
 MANUAL IRIS
 AUTO IRIS
 VARI-FOCAL MANUAL IRIS
 VARI-FOCAL AUTO IRIS
 MANUAL ZOOM
 MOTORIZED ZOOM
 PINHOLE ACCESSORIES
 MEGAPIXEL & FA
 TECHNICAL INFORMATION
 ANGLE OF VIEW

FIX

MANUAL



MODEL NO.	T2314FICS-3
Format (")	1/3
Mount	CS
Focal Length (mm)	2.3
Aperture (F)	1.4-16C
Angle of View (HOR)°	113.3
M.O.D. (m)	0.2
Effective Aperture	Front (φmm) 22.8 Rear (φmm) 7.0
Front Filter Thread (φMxP=)	-
Dimensions	$\phi 34.5 \times 35.4$
Weight (g)	43

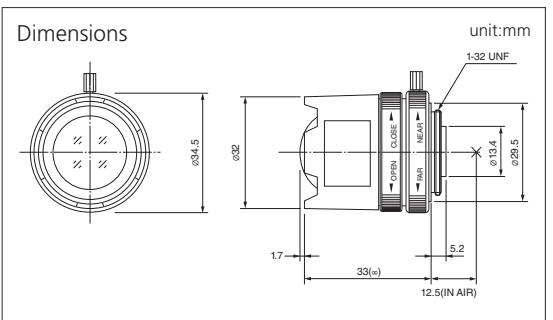


FIX

MANUAL



MODEL NO.	T2616FICS-4
Format (")	1/3
Mount	CS
Focal Length (mm)	2.6
Aperture (F)	1.6-11C
Angle of View (HOR)°	99.6
M.O.D. (m)	0.3
Effective Aperture	Front (φmm) 16.4 Rear (φmm) 8.0
Front Filter Thread (φMxP=)	-
Dimensions	$\phi 34.5 \times 34.7$
Weight (g)	45



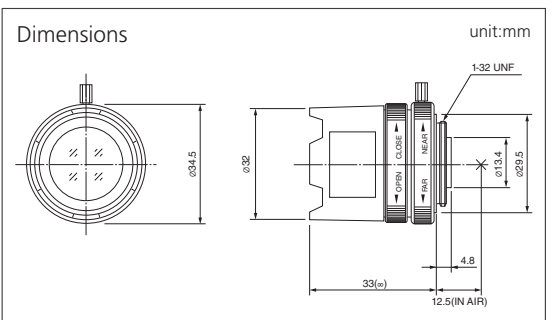
FIX

MANUAL

IR



MODEL NO.	T0412FICS-3
Format (")	1/3
Mount	CS
Focal Length (mm)	4
Aperture (F)	1.2-16C
Angle of View (HOR)°	63.9
M.O.D. (m)	0.2
Effective Aperture	Front (φmm) 15.5 Rear (φmm) 8.5
Front Filter Thread (φMxP=)	-
Dimensions	$\phi 34.5 \times 33$
Weight (g)	36



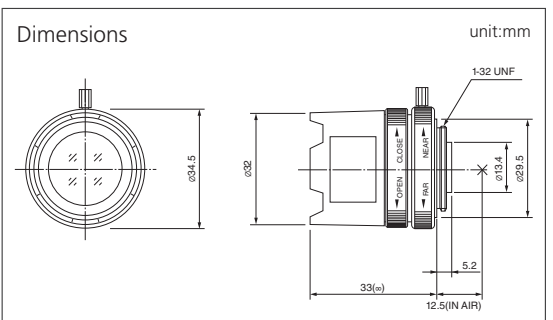
FIX

MANUAL

IR



MODEL NO.	T0812FICS-3
Format (")	1/3
Mount	CS
Focal Length (mm)	8
Aperture (F)	1.2-16C
Angle of View (HOR)°	34.7
M.O.D. (m)	0.2
Effective Aperture	Front (φmm) 15.0 Rear (φmm) 8.8
Front Filter Thread (φMxP=)	-
Dimensions	$\phi 34.5 \times 33$
Weight (g)	37



FIX

MANUAL



MODEL NO.	H1214FICS-3
Format (")	1/2
Mount	CS
Focal Length (mm)	12
Aperture (F)	1.4-16C
Angle of View (HOR)°	30.4
M.O.D. (m)	0.3
Effective Aperture	Front (φmm) 13.0 Rear (φmm) 8.8
Front Filter Thread (φMxP=)	-
Dimensions	$\phi 34.5 \times 33$
Weight (g)	33

