

FEATURE  
INDICATION

MODEL NAME  
CODING RULE

MANUAL IRIS

AUTO IRIS

VARIABLE-FOCAL  
MANUAL IRIS

VARIABLE-FOCAL  
AUTO IRIS

MANUAL  
ZOOM

MOTORIZED  
ZOOM

PINHOLE  
ACCESSORIES

MEGAPIXEL  
& FA

TECHNICAL  
INFORMATION

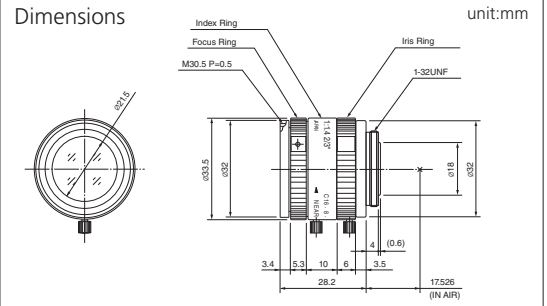
ANGLE OF  
VIEW

- FIX
- MANUAL
- MEGAPIXEL
- SECURITY
- FA



MODEL NO.	M0814-MP2
Format (")	2/3
Mount	C
Focal Length (mm)	8
Aperture (F)	1.4-16C
Angle of View (HOR)°	56.3
M.O.D. (m)	0.1
Effective Aperture	Front (φmm) 21.5 Rear (φmm) 12.0
Front Filter Thread (φMxP=)	30.5 × 0.5
Dimensions (φxD <sub>i</sub> / (φxHxD) or (WxHxD)mm)	φ33.5 × 28.2
Weight (g)	70

Dimensions

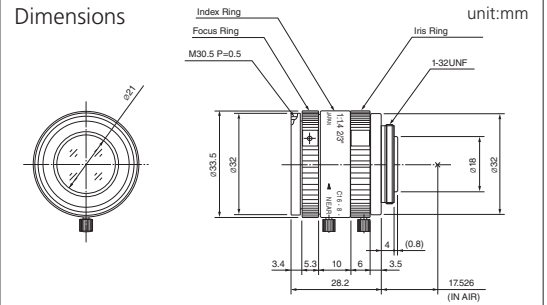


- FIX
- MANUAL
- MEGAPIXEL
- SECURITY
- FA



MODEL NO.	M1214-MP2
Format (")	2/3
Mount	C
Focal Length (mm)	12
Aperture (F)	1.4-16C
Angle of View (HOR)°	40.4
M.O.D. (m)	0.15
Effective Aperture	Front (φmm) 21.0 Rear (φmm) 13.0
Front Filter Thread (φMxP=)	30.5 × 0.5
Dimensions (φxD <sub>i</sub> / (φxHxD) or (WxHxD)mm)	φ33.5 × 28.2
Weight (g)	65

Dimensions

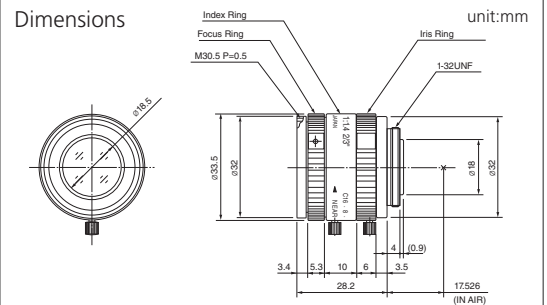


- FIX
- MANUAL
- MEGAPIXEL
- SECURITY
- FA



MODEL NO.	M1614-MP2
Format (")	2/3
Mount	C
Focal Length (mm)	16
Aperture (F)	1.4-16C
Angle of View (HOR)°	30.8
M.O.D. (m)	0.3
Effective Aperture	Front (φmm) 18.5 Rear (φmm) 13.2
Front Filter Thread (φMxP=)	30.5 × 0.5
Dimensions (φxD <sub>i</sub> / (φxHxD) or (WxHxD)mm)	φ33.5 × 28.2
Weight (g)	65

Dimensions

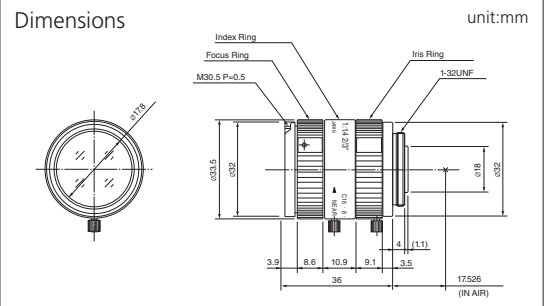


- FIX
- MANUAL
- MEGAPIXEL
- SECURITY
- FA



MODEL NO.	M2514-MP2
Format (")	2/3
Mount	C
Focal Length (mm)	25
Aperture (F)	1.4-16C
Angle of View (HOR)°	20.0
M.O.D. (m)	0.3
Effective Aperture	Front (φmm) 17.8 Rear (φmm) 12.0
Front Filter Thread (φMxP=)	30.5 × 0.5
Dimensions (φxD <sub>i</sub> / (φxHxD) or (WxHxD)mm)	φ33.5 × 36.0
Weight (g)	75

Dimensions



- FIX
- MANUAL
- MEGAPIXEL
- SECURITY
- FA



MODEL NO.	M5018-MP2
Format (")	2/3
Mount	C
Focal Length (mm)	50
Aperture (F)	1.8-16C
Angle of View (HOR)°	10.5
M.O.D. (m)	0.5
Effective Aperture	Front (φmm) 25.5 Rear (φmm) 9.6
Front Filter Thread (φMxP=)	30.5 × 0.5
Dimensions (φxD <sub>i</sub> / (φxHxD) or (WxHxD)mm)	φ33.5 × 38.1
Weight (g)	90

Dimensions

