

VARI-FOCAL

DC DRIVE

VARI-FOCAL
AUTO IRIS

VARI

DC

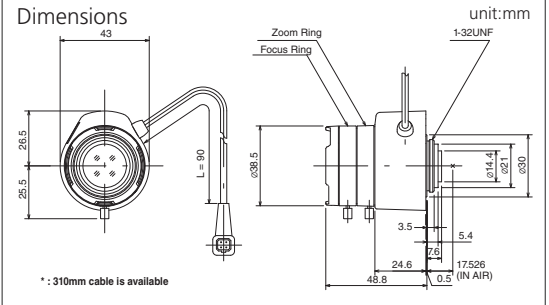
MEGA
PIXEL



NEW

MODEL NO.	HG2Z0414FC-MP
Format (")	1/2
Mount	C
Focal Length (mm)	4.0-8.0
Aperture (F)	1.4-360
Angle of View (HOR)°	90.4-470
M.O.D. (m)	0.5
Effective Aperture	Front (φmm) 22.2 Rear (φmm) 10.7
Front Filter Thread (φMxP=)	-
Dimensions (φxD) (φxHxD) or (WxHxD)mm	φ38.5 × 48 × 48.8
Weight (g)	75

Dimensions



VARI

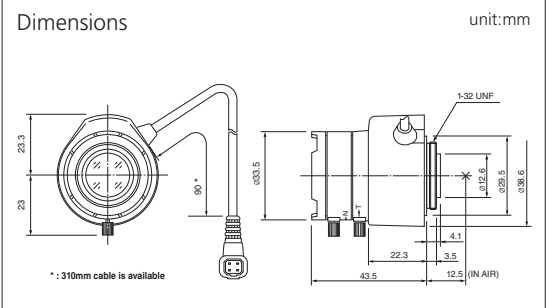
DC

IR



MODEL NO.	HG2Z4516FCS-2
Format (")	1/2
Mount	CS
Focal Length (mm)	4.5-10
Aperture (F)	1.6-360C
Angle of View (HOR)°	81.3-38.2
M.O.D. (m)	0.3
Effective Aperture	Front (φmm) 18.6 Rear (φmm) 9.0
Front Filter Thread (φMxP=)	-
Dimensions (φxD) (φxHxD) or (WxHxD)mm	φ33.5 × 42.6 × 43.5
Weight (g)	54

Dimensions



VARI

DC

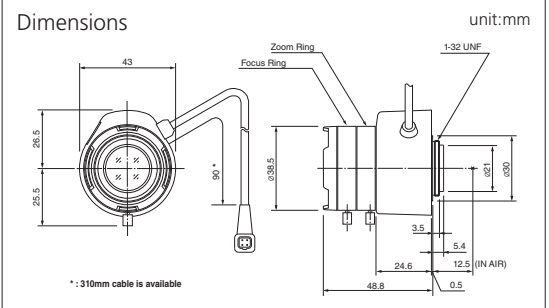
ASP

IR



MODEL NO.	HG3Z4512FCS-IR
Format (")	1/2
Mount	CS
Focal Length (mm)	4.5-12.5
Aperture (F)	1.2-360
Angle of View (HOR)°	83.7-30.1
M.O.D. (m)	0.3
Effective Aperture	Front (φmm) 19.9 Rear (φmm) 9.9
Front Filter Thread (φMxP=)	-
Dimensions (φxD) (φxHxD) or (WxHxD)mm	φ38.5 × 47.5 × 48.8
Weight (g)	68

Dimensions



VARI

DC

TELE

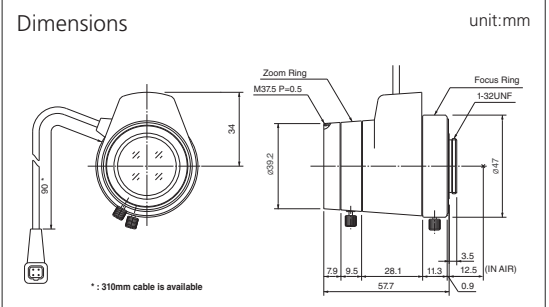
ASP

IR



MODEL NO.	HG3Z1014FCS
Format (")	1/2
Mount	CS
Focal Length (mm)	10-30
Aperture (F)	1.4-360C
Angle of View (HOR)°	35.8-12.5
M.O.D. (m)	0.6
Effective Aperture	Front (φmm) 26.6 Rear (φmm) 9.0
Front Filter Thread (φMxP=)	37.5 × 0.5
Dimensions (φxD) (φxHxD) or (WxHxD)mm	φ41.7 × 57.5 × 57.7
Weight (g)	120

Dimensions



※ HG3Z1014 Series 1/2type lenses have no focus shift with or without IR lighting only when used with 1/2type cameras. If these lenses are used with 1/3type cameras, some focus shift may occur with IR lighting.

FEATURE
INDICATION

MODEL NAME
CODING RULE

MANUAL IRIS

AUTO IRIS

VARI-FOCAL
MANUAL IRIS

VARI-FOCAL
AUTO IRIS

MANUAL
ZOOM

MOTORIZED
ZOOM

PINHOLE
ACCESSORIES

MEGAPIXEL
& FA

TECHNICAL
INFORMATION

ANGLE OF
VIEW