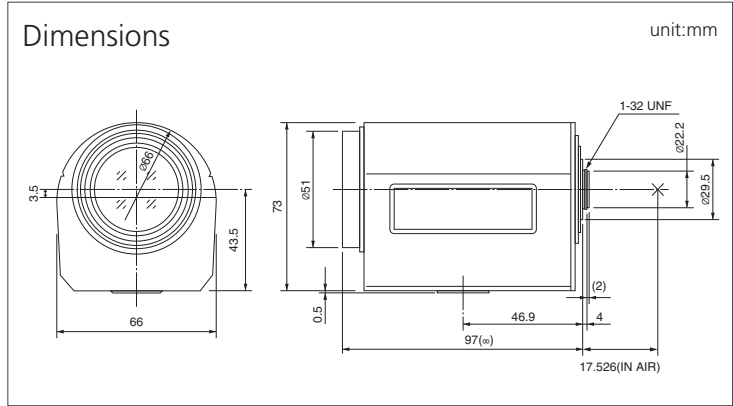


H6Z0812 Series
f 8-48mm, F1.2 x6



Format (")	1/2
Mount	C
Focal Length (mm)	8-48
Angle of View (HOR)°	44.6-8.0
M.O.D. (m)	1.2
Effective Aperture	Front (φmm) 39.2
	Rear (φmm) 16.6
Front Filter Thread (φMxP=)	49.0 × 0.75
Dimensions (WxHxD)mm	66 × 73.5 × 97



NO.	MODEL NO.			Aperture (F)	Weight (g)	
1	H6Z0812M	ZOOM	3 MOTOR	1.2-16C	400	
2	H6Z0812MP	ZOOM	3 MOTOR	PRESET	440	
3	H6Z0812MS	ZOOM	3 MOTOR	SPOT FILTER	400	
4	H6Z0812MSP	ZOOM	3 MOTOR	PRESET	SPOT FILTER	440
5	H6Z0812AMS	ZOOM	VIDEO	SPOT FILTER	420	
6	H6Z0812AMSP	ZOOM	VIDEO	PRESET	SPOT FILTER	460

- FEATURE INDICATION
- MODEL NAME CODING RULE
- MANUAL IRIS
- AUTO IRIS
- VARI-FOCAL MANUAL IRIS
- VARI-FOCAL AUTO IRIS
- MANUAL ZOOM
- MOTORIZED ZOOM
- PINHOLE ACCESSORIES
- MEGAPIXEL & FA
- TECHNICAL INFORMATION
- ANGLE OF VIEW